



Class II (V)

Product Features

- Meets medical & I.T.E. safety
- 2 MOPP input to output isolation
- Energy efficiency level V
- Touch current $\leq 10\mu\text{A}$
- $\leq 0.3\text{W}$ standby power
- 5V and 6V output, up to 5W
- Up to 5,000m operating altitude

NEW

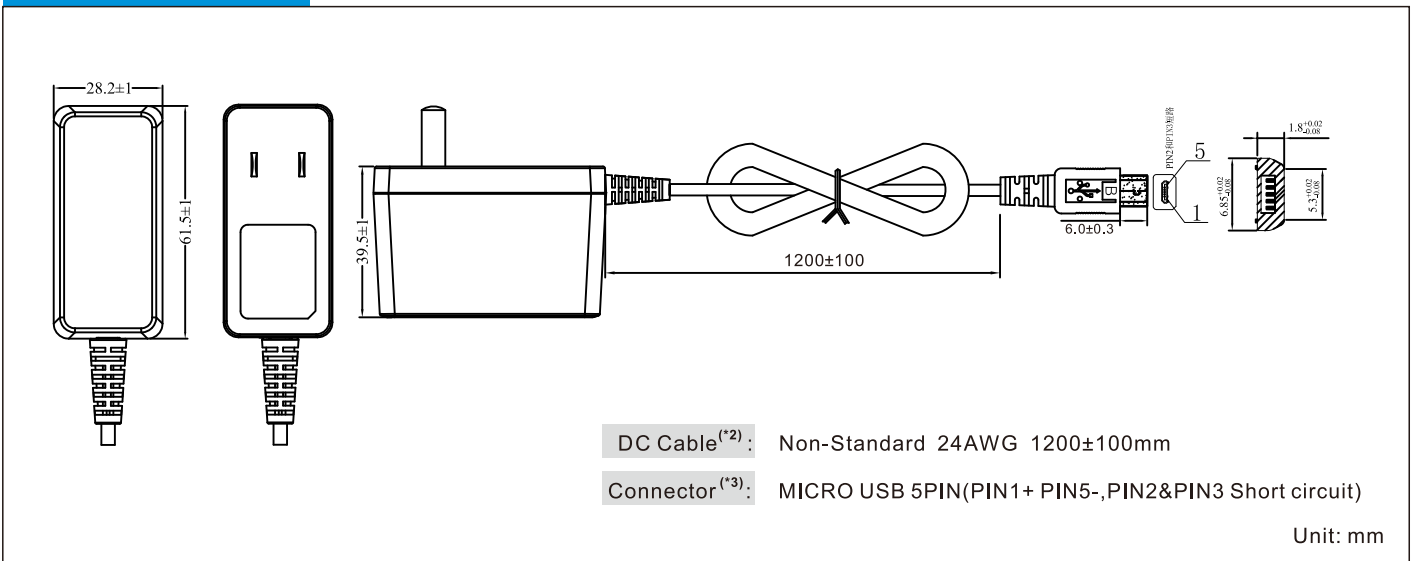


★★★★★

Models & Ratings

Model Number	Voltage ^(*1) (V)	Current (A)	Rated Power	Ripple & Noise (max)	Voltage Tolerance	Line & Load Regulation	Efficiency (Average)	Start Up Delay
DP05LC3-XXXYYYSPA	5.0 6.0	0.01-1.00 0.01-0.80	5.00W 4.80W	200mVpk-pk 200mVpk-pk	$\pm 8\%$ $\pm 8\%$	Line: $\pm 5\%$ Load: $\pm 5\%$	68.17% 72.02%	$\leq 3\text{s}$ $\leq 3\text{s}$

Mechanical Details



Notes

(*1, 2, 3) Other options are available, please contact our sales representative for details.